



Bofor CLASSIC HATCH

Certificate of EC Type-Approval issued upon request



Flyscreens and ABS Trims Sold Separately

CLASSIC HATCH ONLY

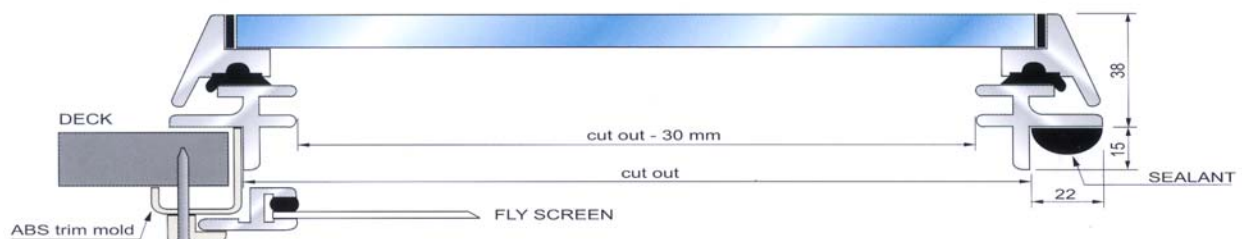
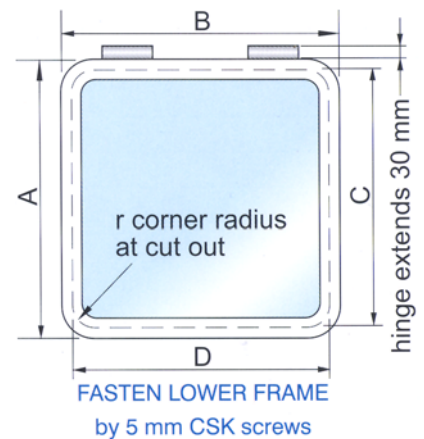
Part No.	Shape	Acrylic thick	Weight	Cut Out Radius	Cut Out Cx D	Overall Size A x B
36200	Square	10mm	1.5kg	40mm	202 x 202mm	240 x 240mm
36201	Rectangular	10mm	2kg	40mm	202 x 347mm	240 x 385mm
36202	Square	10mm	2kg	40mm	260 x 260mm	300 x 300mm
36203	Rectangular	10mm	5kg	40mm	320 x 450mm	360 x 490mm
36204	Square	10mm	5.6kg	40mm	420 x 420mm	455 x 455mm
36205	Rectangular	10mm	6kg	40mm	370 x 500mm	410 x 540mm
36206	Square	10mm	6.8kg	40mm	505 x 500mm	545 x 545mm
36207	Square	12mm	10.4kg	40mm	620 x 620mm	660 x 660mm
36208	Square	12mm	12.5kg	40mm	700 x 700mm	740 x 740mm

ABS TRIM ONLY

Part No.	Shape	Hatch Type	T/S Hatch Size	T/S Part No.
36220	Square	Classic	240 x 240mm	36200
36221	Rectangular	Classic	240 x 385mm	36201
36222	Square	Classic	300 x 300mm	36202
36223	Rectangular	Classic	360 x 490mm	36203
36224	Square	Classic	460 x 460mm	36204
36225	Rectangular	Classic	410 x 540mm	36205
36226	Square	Classic	545 x 545mm	36206
36227	Square	Classic	660 x 660mm	36207

FLYSCREEN ONLY

Part No.	Shape	Hatch Type	T/S Hatch Size	T/S Part No.
36240	Square	Classic	240 x 240mm	36200
36241	Rectangular	Classic	240 x 385mm	36201
36242	Square	Classic	300 x 300mm	36202
36243	Rectangular	Classic	360 x 490mm	36203
36244	Square	Classic	460 x 460mm	36204
36245	Rectangular	Classic	410 x 540mm	36205
36246	Square	Classic	545 x 545mm	36206
36247	Square	Classic	660 x 660mm	36207
36500	Handle set to suit Bofor Hatches			





Bofor **ULTRA SLIM HATCH**



Certificate of EC Type-Approval issued upon request.

Flyscreens and ABS Trims Sold Separately. Bofor Ultra Slim Hatch, is only 20mm high from deck.

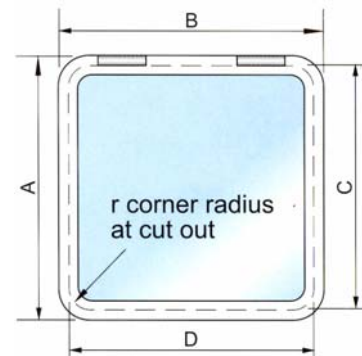
ULTRA SLIM HATCH ONLY

Part No.	Overall Size A x B	Cut Out using Trim C x D	Cut Out radius	Weight	Acrylic thick	Shape
36300	270 x 270mm	205 x 205mm	40mm	1.1kg	10mm	Square
36301	325 x 325mm	260 x 260mm	40mm	1.6kg	10mm	Square
36302	385 x 515mm	320 x 450mm	40mm	3.5kg	10mm	Rectangular
36303	480 x 480mm	420 x 420mm	40mm	4.2kg	10mm	Square
36304	575 x 575mm	505 x 505mm	40mm	5.3kg	10mm	Square
36305	480 x 480mm	425 x 425mm	208mm	3.4kg	10mm	Round
36306	594 x 594mm	575 x 575mm	258mm	5kg	10mm	Round

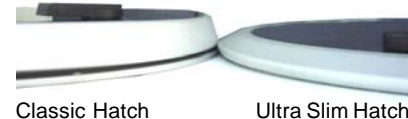
Black finish available on request.

ABS TRIM ONLY

Part No.	T/S Part No.	T/S Hatch Size	Hatch Type	Shape
36320	36300	270 x 270mm	Ultra Slim	Square
36321	36301	325 x 325mm	Ultra Slim	Square
36322	36302	385 x 515mm	Ultra Slim	Rectangular
36323	36303	480 x 480mm	Ultra Slim	Square
36324	36304	575 x 575mm	Ultra Slim	Square
36325	36305	480 x 480mm	Ultra Slim	Round
36326	36306	575 x 575mm	Ultra Slim	Round



FASTEN LOWER FRAME
by 5 mm CSK screws

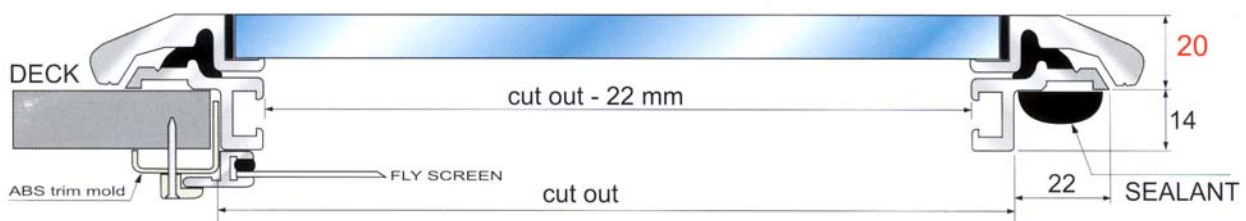


Classic Hatch

Ultra Slim Hatch

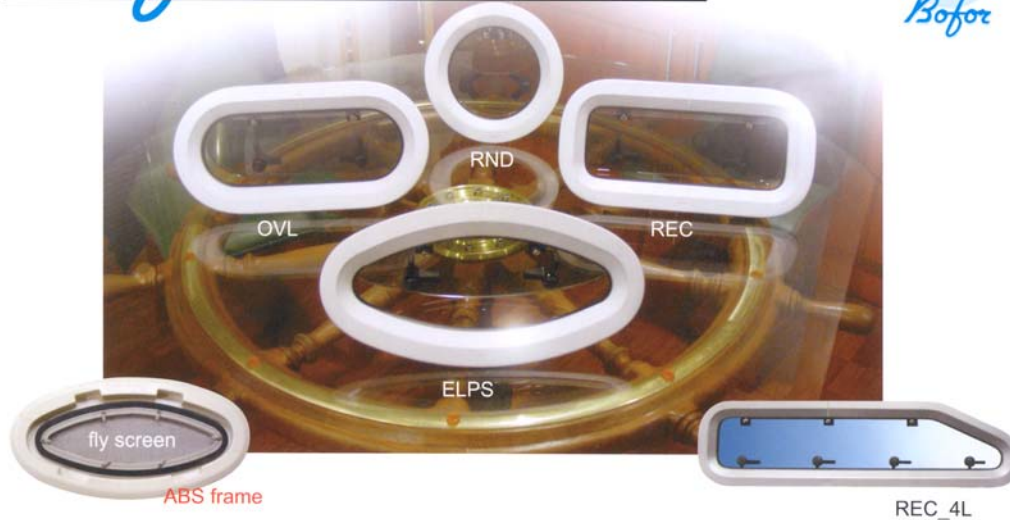
FLYSCREEN ONLY

Part No.	T/S Part No.	T/S Hatch Size	Hatch Type	Shape
36340	36300	270 x 270mm	Ultra Slim	Square
36341	36301	325 x 325mm	Ultra Slim	Square
36342	36302	385 x 515mm	Ultra Slim	Rectangular
36343	36303	480 x 480mm	Ultra Slim	Square
36344	36304	575 x 575mm	Ultra Slim	Square
36345	36305	480 x 480mm	Ultra Slim	Round
36346	36306	575 x 575mm	Ultra Slim	Round





Bofor CLAMPING PORTHOLE



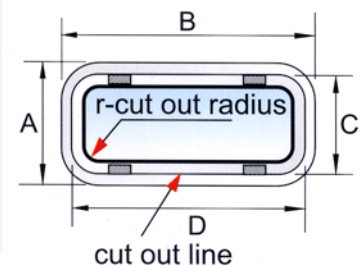
Certificate of EC Type-Approval issued upon request.
Flyscreens and ABS Trims Sold Separately

FIXED PORTHOLES ONLY

Part No.	Shape	Acrylic thick	Weight	Cut Out radius	Cut Out C x D	Overall Size A x B
36400	Rectangular	6mm	1.6kg	55mm	156 x 303mm	184 x 330mm
36401	Rectangular	6mm	2kg	55mm	156 x 405mm	184 x 433mm
36402	Rectangular	6mm	1.7kg	55mm	171 x 347mm	200 x 375mm
36403	Rectangular	6mm	2.4kg	55mm	171 x 429mm	200 x 457mm
36404	Rectangular	6mm	2.7kg	55mm	171 x 627mm	200 x 655mm
36405	Oval	6mm	1.7kg	86mm	171 x 347mm	200 x 375mm
36406	Oval	6mm	1.9kg	86mm	171 x 375mm	200 x 400mm
36407	Oval	6mm	2.2kg	86mm	171 x 405mm	200 x 433mm
36408	Elliptical	6mm	1.7kg	55 x 370mm	175 x 380mm	200 x 400mm
36409	Elliptical	6mm	2.4kg	55 x 395mm	225 x 480mm	250 x 500mm
36431	Elliptical	6mm	2.4kg	tba	155 x 340mm	180 x 355mm

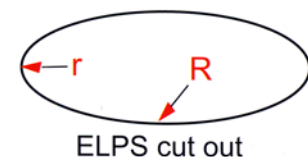
ABS TRIM ONLY

Part No.	Shape	Port Type	T/S Port Size	T/S Part No
36410	Rectangular	Fixed	184 x 330mm	36400
36411	Rectangular	Fixed	184 x 433mm	36401
36412	Rectangular	Fixed	200 x 375mm	36402
36413	Rectangular	Fixed	200 x 457mm	36403
36414	Rectangular	Fixed	200 x 655mm	36404
36415	Oval	Fixed	200 x 375mm	36405
36416	Oval	Fixed	200 x 400mm	36406
36417	Oval	Fixed	200 x 433mm	36407



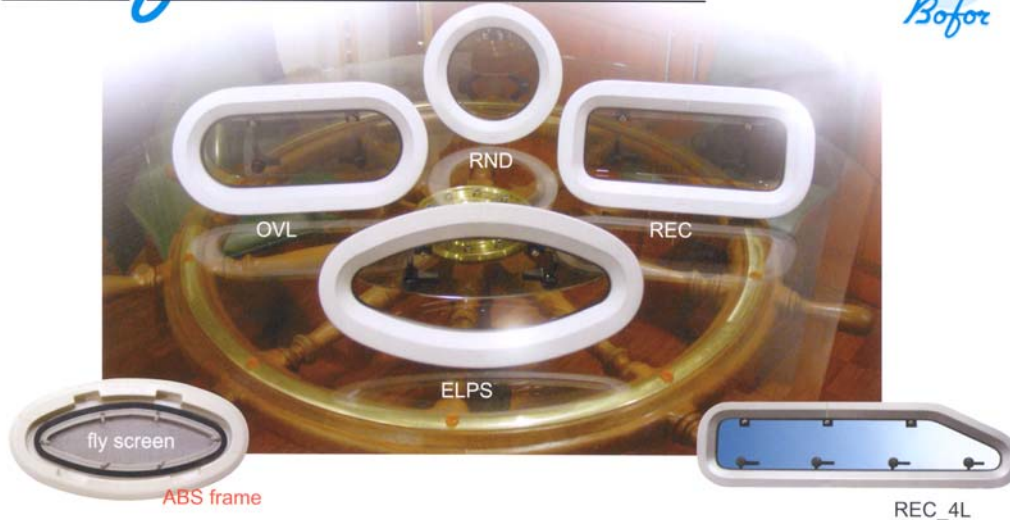
FLYSCREEN ONLY

Part No.	Shape	Port Type	T/S Port Size	T/S Part No
36460	Rectangular	Fixed	184 x 330mm	36400
36461	Rectangular	Fixed	184 x 433mm	36401
36462	Rectangular	Fixed	200 x 375mm	36402
36463	Rectangular	Fixed	200 x 457mm	36403
36464	Rectangular	Fixed	200 x 655mm	36404
36465	Oval	Fixed	200 x 375mm	36405
36466	Oval	Fixed	200 x 400mm	36406
36467	Oval	Fixed	200 x 433mm	36407





Bofor CLAMPING PORTHOLE



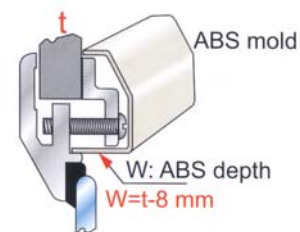
Certificate of EC Type-Approval issued upon request.
Flyscreens and ABS Trims Sold Separately

OPENING PORTHOLES ONLY

Part No.	Overall Size A x B	Cut Out C x D	Cut Out Radius	Weight	Acrylic thick	Shape
36420	184 x 330mm	156 x 303mm	55mm	1.6kg	6mm	Rectangular
36421	184 x 433mm	156 x 405mm	55mm	2kg	6mm	Rectangular
36422	200 x 375mm	171 x 347mm	55mm	1.7kg	6mm	Rectangular
36423	200 x 457mm	171 x 429mm	55mm	2.4kg	6mm	Rectangular
36424	200 x 655mm	171 x 627mm	55mm	2.7kg	6mm	Rectangular
36425	200 x 375mm	171 x 347mm	86mm	1.7kg	6mm	Oval
36426	200 x 400mm	171 x 375mm	86mm	1.9kg	6mm	Oval
36427	200 x 433mm	171 x 405mm	86mm	2.2kg	6mm	Oval
36428	200 x 400mm	175 x 380mm	55 x 370mm	1.7kg	6mm	Elliptical
36429	250 x 500mm	225 x 480mm	55 x 395mm	2.4kg	6mm	Elliptical

ABS TRIM ONLY

Part No.	T/S Part No	T/S Port Size	Port Type	Shape
36440	36420	184 x 330mm	Opening	Rectangular
36441	36421	184 x 433mm	Opening	Rectangular
36442	36422	200 x 375mm	Opening	Rectangular
36443	36423	200 x 457mm	Opening	Rectangular
36444	36424	200 x 655mm	Opening	Rectangular
36445	36425	200 x 375mm	Opening	Oval
36446	36426	200 x 400mm	Opening	Oval
36447	36427	200 x 433mm	Opening	Oval
36448	36428	200 x 400mm	Opening	Elliptical
36449	36429	250 x 500mm	Opening	Elliptical



FLYSCREEN ONLY

Part No.	T/S Part No	T/S Port Size	Port Type	Shape
36460	36420	184 x 330mm	Opening	Rectangular
36461	36421	184 x 433mm	Opening	Rectangular
36462	36422	200 x 375mm	Opening	Rectangular
36463	36423	200 x 457mm	Opening	Rectangular
36464	36424	200 x 655mm	Opening	Rectangular
36465	36425	200 x 375mm	Opening	Oval
36466	36426	200 x 400mm	Opening	Oval
36467	36427	200 x 433mm	Opening	Oval
36468	36428	200 x 400mm	Opening	Elliptical
36469	36429	250 x 500mm	Opening	Elliptical

