



# SENSOTEX

*Beyond Measure*

Sensotex is a professional manufacturer producing high quality Water, Fuel & Holding Tank Level Sensors, Gauge Lights, Navigation Light Control, Boat Bilge Pump Switches, Alarms...etc. Sensotex have been designing & manufacturing electronic accessories for the boating industry for more than 20 years with their patents certified throughout the world. Besides practical quality control, Sensotex run their production line with the highest of standards, with precision facilities & highly trained operators. Sensotex always continuously develop new products & offer Zero defect product to their customers.

## WASTE TANK GAUGE



**Part No.**

- 40112** 0-180 OHMS
  - 40114** 30-240 OHMS Black
  - 40114W** 30-240 OHMS White
- 12/24 volt  
Cut-out diameter: 52mm  
Outside dimensions: 64 mm

## FUEL GAUGE



**Part No.**

- 40108** 0-180 OHMS **Black**
  - 40108W** 0-180 OHMS **White**
  - 40110** 30-240 OHMS **Black**
  - 40110W** 30-240 OHMS **White**
- 12/24 volt  
Cut-out diameter: 52mm  
Outside dimensions: 64 mm

## OIL TEMPERATURE GAUGE



- Part No. 40118** Black  
**40118W\*** White

12 volt  
Scale calibration 0-100° C  
Cut-out diameter: 52mm  
Outside dimensions: 64 mm

*\*40118W available mid 2007*

## WATER TANK GAUGE



**Part No.**

- 40104** 0-180 OHMS
  - 40106** 30-240 OHMS Black
  - 40106W** 30-240 OHMS White
- 12/24 volt  
Cut-out diameter: 52mm  
Outside dimensions: 64 mm

## WATER TEMPERATURE GAUGE



- Part No. 40119** Black  
**40119W\*** White

12 volt  
Scale calibration 0-100° C  
Cut-out diameter: 52mm  
Outside dimensions: 64 mm

*\*40119W available mid 2007*

## HOUR METER



- Part No. 40121** Black  
**40121W\*** White

12 or 24 volt  
Cut-out diameter: 52mm  
Outside dimensions: 64 mm

*\*40121W available mid 2007*

## AMPERE METER



- Part No. 40120** Black  
**40120W** White

Scale calibration  
50 or 100 amp  
Cut-out diameter: 52mm  
Outside dimensions: 64 mm

## VOLTMETER



**Part No.**

- 40122** 12 volt Black
  - 40122W** 12 volt White
  - 40123** 24 volt Black
  - 40123W** 24 volt White
- Cut-out diameter: 52mm  
Outside dimensions: 64 mm



### S/S TANK LEVEL SENSORS

Stainless Steel 316G Tank Level Sensor for Fuel or Water Resistance range from 30-240 OHMS. Assembly Way 5 Hole Screw-in. Rubber gasket & S/S screws included.

Part No.	Description
40134	5 Hole S/S Sender 100mm
40135	5 Hole S/S Sender 110mm
40136	5 Hole S/S Sender 120mm
40140	5 Hole S/S Sender 140mm
40150	5 Hole S/S Sender 150mm
40175	5 Hole S/S Sender 175mm
40180	5 Hole S/S Sender 180mm
40195	5 Hole S/S Sender 195mm
40200	5 Hole S/S Sender 200mm
40220	5 Hole S/S Sender 220mm
40235	5 Hole S/S Sender 235mm
40225	5 Hole S/S Sender 225mm
40240	5 Hole S/S Sender 240mm
40250	5 Hole S/S Sender 250mm
40265	5 Hole S/S Sender 265mm
40275	5 Hole S/S Sender 275mm
40280	5 Hole S/S Sender 280mm
40300	5 Hole S/S Sender 300mm
40335	5 Hole S/S Sender 335mm
40375	5 Hole S/S Sender 375mm
40500	5 Hole S/S Sender 500mm

Special sizes available to order



### REPLACEMENT NYLON FIXING KIT to suit above Sensors

Part No.	Description
40130	5 Hole Nylon Fixing Kit to suit above Tank Level sensors



### S/S TANK LEVEL SENSORS

Stainless Steel 316G Tank Level Sensor for Fuel or Water Resistance range from 30-240 OHMS. Assembly Way 1 1/4" BSP thread. Rubber O Rings, rubber gasket & S/S screws included.

Part No.	Description
41150	S/S Sender 1 1/4" BSP 150mm
41175	S/S Sender 1 1/4" BSP 175mm
41200	S/S Sender 1 1/4" BSP 200mm
41225	S/S Sender 1 1/4" BSP 225mm
41250	S/S Sender 1 1/4" BSP 250mm
41275	S/S Sender 1 1/4" BSP 275mm
41300	S/S Sender 1 1/4" BSP 300mm
41325A	S/S Sender 1 1/4" BSP 325mm
41350	S/S Sender 1 1/4" BSP 350mm
41375	S/S Sender 1 1/4" BSP 375mm
41400	S/S Sender 1 1/4" BSP 400mm
41425	S/S Sender 1 1/4" BSP 425mm
41450	S/S Sender 1 1/4" BSP 450mm
41475	S/S Sender 1 1/4" BSP 475mm
41500	S/S Sender 1 1/4" BSP 500mm
41550	S/S Sender 1 1/4" BSP 550mm
41600	S/S Sender 1 1/4" BSP 600mm
41650	S/S Sender 1 1/4" BSP 650mm
41700	S/S Sender 1 1/4" BSP 700mm
41800	S/S Sender 1 1/4" BSP 800mm
41850	S/S Sender 1 1/4" BSP 850mm
41900	S/S Sender 1 1/4" BSP 900mm
41100	S/S Sender 1 1/4" BSP 1000mm
41675B	S/S Sender 1 1/4" BSP 1675mm

Special sizes available to order



### REPLACEMENT NYLON FIXING KIT to suit above Sensors

Part No.	Description
40128	Nylon Fixing Kit to suit above Tank Level sensors 1 1/4" BSP



### STAINLESS STEEL HOLDING TANK LEVEL SENSORS

#### Features

Stainless Steel Grade 316  
Holding: Water/Fuel Tank  
Assembly way: 6 holes  
Resistance Range: 30-240 OHMS  
Accessories: Rubber Gasket & Stainless Steel Screws



Part No.	Description
42100	100mm
42205	205mm
42305	305mm
42410	410mm
42510	510mm



### LIQUID LEVEL SENSOR

Application: Waste Water Tank.  
Material: 316G Stainless Steel.  
Resistance Range: 0-180 OHMS  
Assembly Way: 1 1/4" BSP Thread.  
Accessories: Rubber O Rings are included.

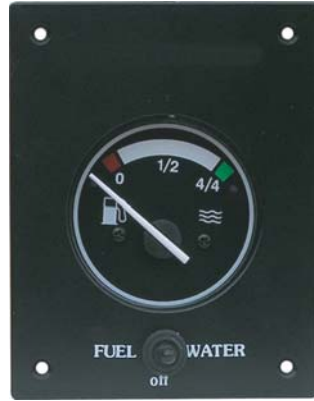
Part No.	Description
42520	200mm
42525	250mm
42530	300mm
42535	350mm
42540	400mm
42545	450mm
42500	500mm
42550	550mm
42560	600mm
42565	650mm
42570	700mm
42575	750mm
42800	800mm





### TANK LEVEL INDICATOR FUEL/WATER

The one panel instrument covers up to 2 water tanks & 2 fuel tanks. The panel gauges look good and are fog proof. This gauge will save time, space, & money.

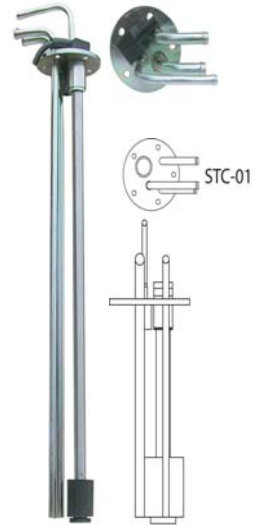


**Part No.**  
40116 12/24 volt

### FUEL TANK TRUCK SENDERS

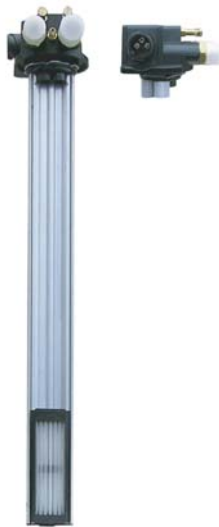


Multi-function air valve design can make the pressure in the fuel tank more stable. The induction-resistance designed sensor can offer better shock proof resistance and can be ordered to any OHMS resistance.



**Part No.**  
42600 Stainless Steel. 400mm

### FUEL TANK TRUCK SENDERS



**Specifications**  
Multi-function air valve design can make the pressure in the fuel tank more stable.

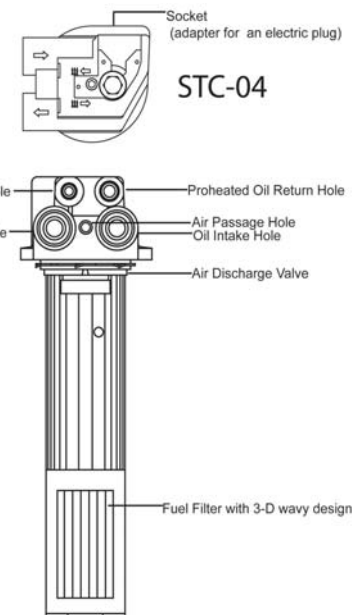
The induction-resistance designed sensor can offer better shockproof resistance.

The 0.7mm mesh design of the fuel filter and the increasing 3-D wavy filter area design both have the impurities uneasy to block.

Easy to install

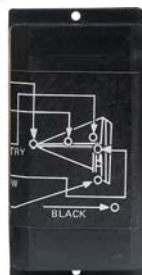
DAF	10 - 500
MAN	73 - 8.2
Mercedes Benz	3 - 180
Scania	10 - 180
Volvo/Renault	240 - 33

**Part No.**  
42650 Alloy. 679mm

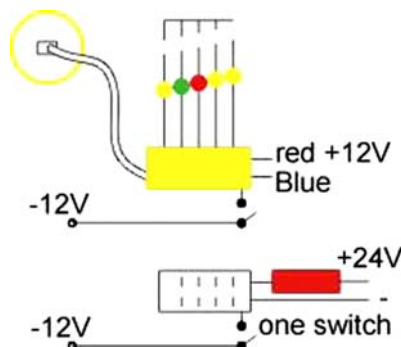


**Part No.**  
40100 Applied in Sailboat  
52mm diameter  
60mm deep  
12/24 volt

Be safer at sea when you know all lights are working.



### NAVIGATION LIGHT INDICATOR for Sailboats & Powerboats



**Part No.**  
40102 Applied in Powerboat  
52mm diameter  
60mm deep  
12/24 volt

Be safer at sea when you know all lights are working.

