

# Rotating Phone Holder

## Features

- With both a stationary and adjustable arm, the phone can be secured or removed with one hand
- Accommodates most phone sizes
- Positions the phone directly over the inductive charger to ensure a strong connection
- Arm shape, size, and color designed to blend with any OEM dash set-up and will not compete visually with other switches and gauge clusters
- Rotating feature allows the phone to be mounted vertically or horizontally depending on the user's preference
- Qi certified to meet all wireless charging standards

## Product Details

Dimensions 4.9"H x 3.3"W x 1.8"D

Housing Material Polycarbonate

Voltage 10-30V DC

Input Current Wireless Only : 1A

Charging Capacity Wireless Only : 10W

Wire Length 8"

Wire Gauge 18 AWG

Operating Temp Wireless : 41°F - 95°F (5°C - 35°C)

IP Rating IP66

UV Stable Yes

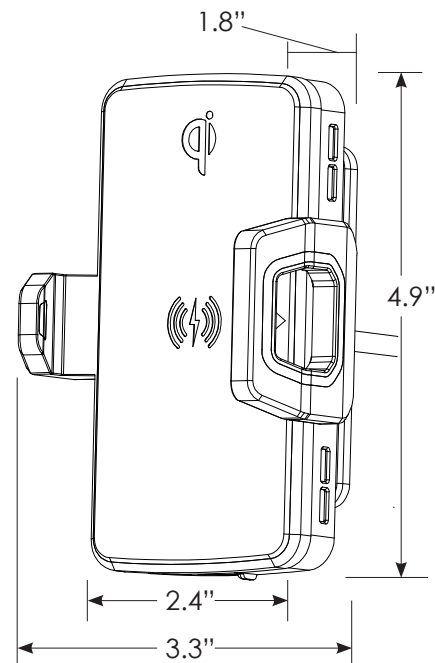
Patent Pending

## Specification Guide

Base Part #	Configuration	Finish
530014	W - Wireless Only	BK - Black



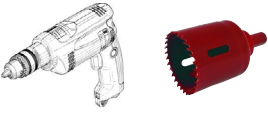
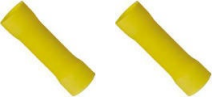


## Product Dimensions



# Rotating Phone Holder Install Instructions

(Part #'s: 530014)

PARTS / TOOLS NEEDED:			
			
Phone Holder	#6 Pan Head Mounting Screws (not provided)	Power Drill & Hole Saw	Marine Grade Splices (not provided)

## Safety/Installation Considerations

- Disconnect power before installing, adding or changing any component.
- To avoid a hazard to children, account for all parts and destroy all packing materials.
- *Electrical Specs:*  
Input voltage: 10-30V DC | Input Current: Wireless: 1A  
Charging Capacity: Wireless Only: 10W
- Positive (+) outputs require a fuse if the attached wire leads are not rated to handle the max current.
- The charger has been designed to work with Qi compatible devices.
- The charger has been designed to charge and operate within the receiving device's thermal parameters. Low or high temperatures might cause the receiving device to change their charging behavior to regulate its temperature and preserve battery life. Typical temperature ranges are 0°C to 35°C (32°F to 95°F). When exceeding these operating temperatures, the phone and/or the charging device may temporarily stop charging to protect from overheating.
- The wireless charging module has been designed to be optimized with no case installed. If a thick phone case is added to the distance between the charger surface and the phone it may cause the device to not charge or to temporarily shut down to protect from over-heating.

### 1. Determine the installation location and mark the mounting holes.

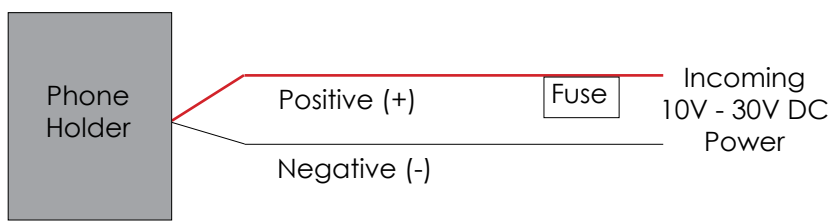
Pre-drill the mounting holes and drill a 1 $\frac{3}{8}$ " hole for the wire access.



2. Screw the holder in place using #6 pan head screws (not provided) making sure to follow the top orientation noted on the back of the part.



3. Wire the phone holder using the wiring diagram.



4. Snap the holder into the mounting plate making sure to line up the **TOP** text on the mounting plate and phone holder. The phone holder can be rotated 90° so it can be viewed in portrait or landscape orientation.

