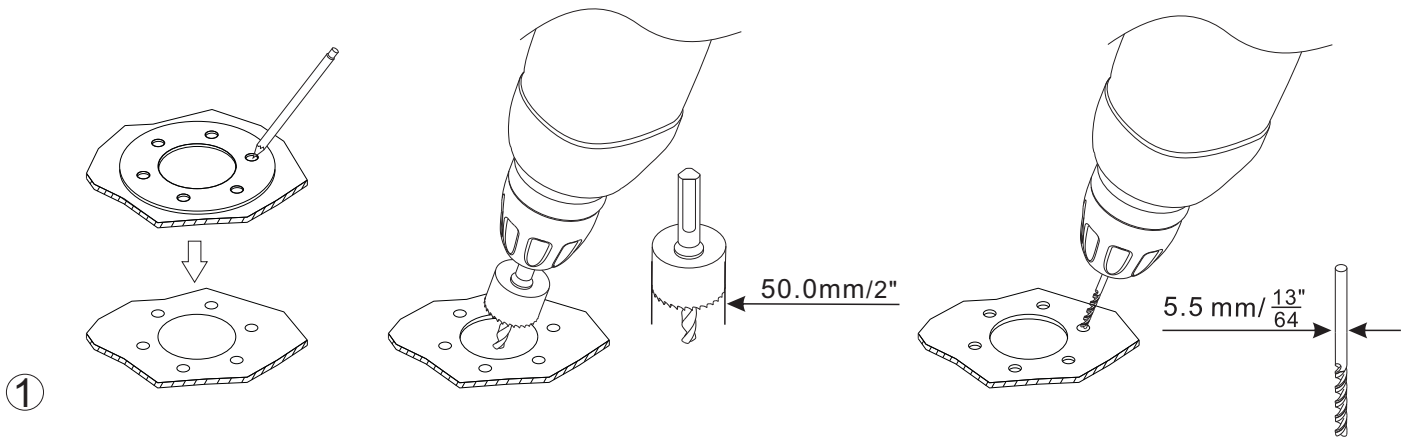


S3 MOUNTING INSTRUCTIONS

I. Assemble by C-ring, applicable to tank with thin wall preparation

Preparation :

1. Tool: 50.0mm/2" opener, 5.5 mm/ $\frac{13}{64}$ " drill, pencil, electric hand drill.
2. Empty tank, clean tank with water, keep filler open.



- ① Drill one 50mm/2" hole and six 5.5mm/ $\frac{13}{64}$ " holes in the tank.

- ② Thread the first screw (any of the 6) complete through the HFL flange and the gasket and the other 5 screws through the HFL flange and a little through the gasket. Look at the drawing and place the "C" ring on the first screw.

- ③ Twist the "C" ring into the tank opening, and line up the "C" ring until you can screw down one of the 5 screws. Take out the first screw.

- ④ Line up the "C" ring and loosely screw all the screws evenly into the "C" ring.

- ⑤ Tighten the screw firmly in a diagonal tightening pattern

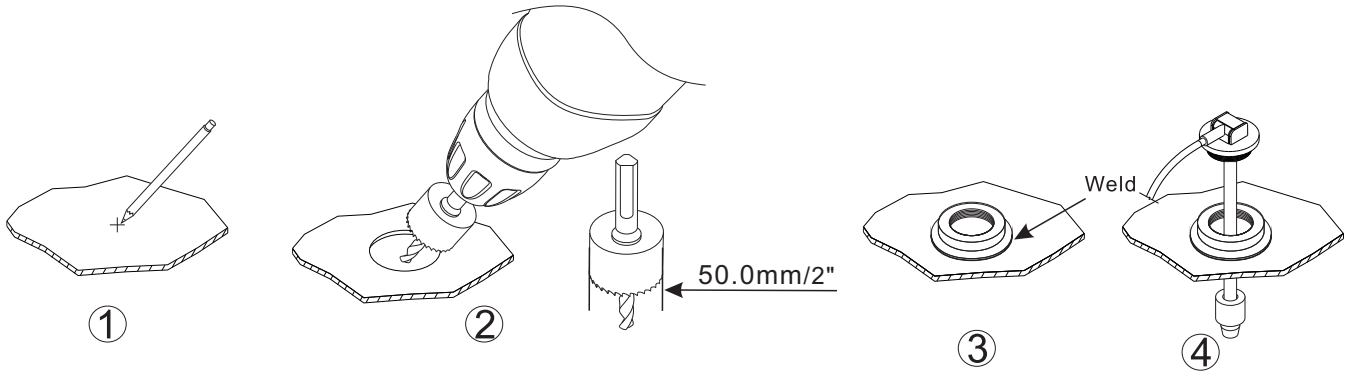
- ⑥ Screw the sensor onto the HFL flange with spanner.

S3 MOUNTING INSTRUCTIONS

II. Assemble by flange, applicable to metal (e.g. iron, Alum, SS) tank with thin wall

Preparation :

1. Tool: 50.0 mm/2" opener, pencil, electric hand drill.
2. Empty tank, clean tank with water, keep filler open.

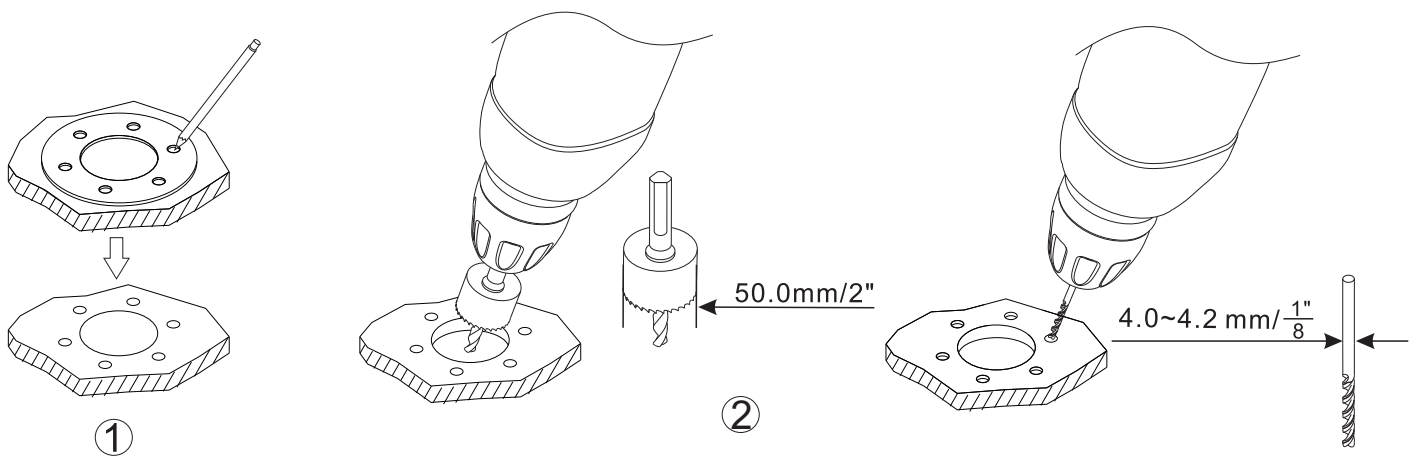


- ① Draw a "cross" in the required open area by pencil in tank
- ② Drill hole with 50mm/2" opener
- ③ Set flange in middle of the hole and weld into tank
- ④ Twist O-ring into flange, done.

III. Assemble by auto-screw, applicable to plastic tank

Preparation :

1. Tool: 4.0~4.2 mm/ $\frac{1}{8}$ " drill, 50.0 mm/2" opener, pencil, electric hand drill.
2. Empty tank, clean tank with water, keep filler open.



- ① Draw the required holes by pencil per gasket's shape in tank
- ② Drill hole with 50mm/2" opener by 4.0 mm and 4.2mm's/ $\frac{1}{8}$ " drill, separately
- ③ Use tapping screw+gasket to set flange into tank per "star pattern" method
- ④ Twist O-ring into flange, done.

