



AquaDEA Japan

LED Underwater Lights

NEW



Proudly Distributed By

Sam Allen Wholesale
Marine, Outdoor Leisure & Industrial Accessories

Phone: +61 7 3902 7222 Fax: +61 7 3899 1079
Email: sales@samallen.com.au
www.samallen.com.au

Follow us on:



NEW



709560

709565



709570

709575

Blue Version Of Underwater Lights Shown

Part No.	LED Colour	COB LED Chip (W)	Frame Colour	Lumens (lm)	Volts (V)	Watts (W)	Dimensions L x W x H (mm)
B20W Underwater Light							
709560	Blue	30	Black	2000	12	20	210 x 80 x 30
709563	RGB*	30	Black	1600	12	15	210 x 80 x 30
B40W Underwater Light							
709565	Blue	2 x 30	Black	3000	12	40	290 x 110 x 30
709568	RGB*	2 x 30	Black	2400	12	35	290 x 110 x 30
B60W Underwater Light							
709570	Blue	2 x 30	Bronze	6000	9-32	60	210 x 80 x 15
709573	RGB*	2 x 30	Bronze	4800	9-32	60	210 x 80 x 15
B90W Underwater Light							
709575	Blue	2 x 50	Bronze	10000	9-32	90	270 x 100 x 15
709578	RGB*	2 x 50	Bronze	8000	9-32	90	270 x 100 x 15

- Sealed watertight construction, ideal for underwater lighting and trim tab lighting.
- Primary spot output is 60° from mounting surface and diffused lens produces a 120° light output.
- Protection Rating: IP68.
- 2m pre-wired cord.
- Installation hardware included.
- Mounting diagram included.

NOTE: Designed for underwater use only, these lights are cooled by water.

** To change the RGB settings, rapidly press your on/off switch to change between the 11 preset RGB modes. To reset to the default setting switch the lights off for 3-6 seconds and turn them back on. Refer to instruction manual.*

Ideal for:



Jet Ski



Inflatables



Tinnies



Run Aabouts



Large Boats

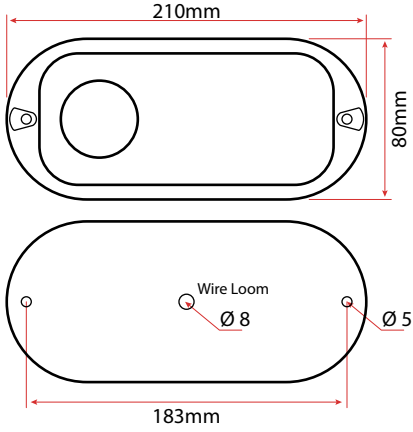


Proudly Distributed By

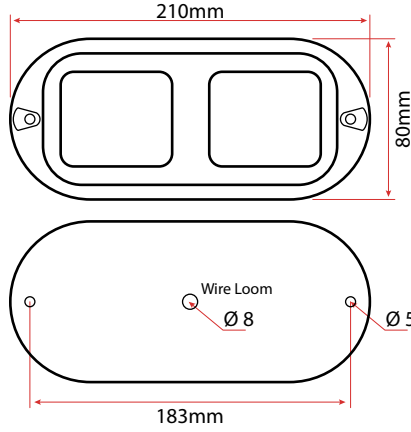
Sam Allen Wholesale
Marine, Outdoor Leisure & Industrial Accessories

Phone: +61 7 3902 7222 Fax: +61 7 3899 1079
Email: sales@samallen.com.au
www.samallen.com.au

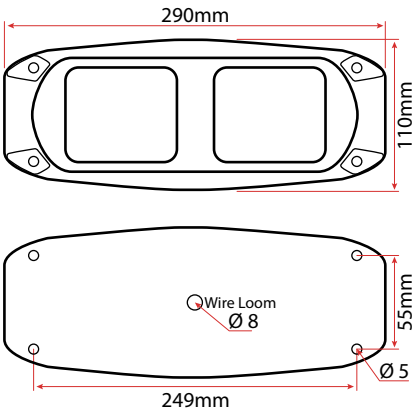
B20W



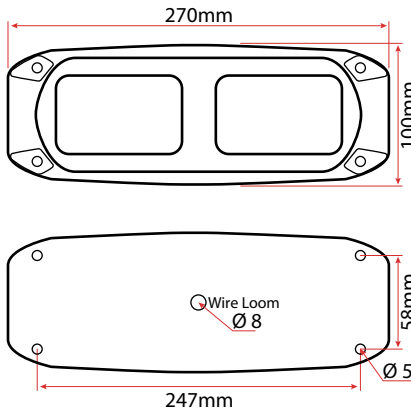
B60W



B40W



B90W



Kits Include*:

- B series Underwater Light
- Stainless steel mounting hardware.
- Rubber washers
- Fuse holder
- Butt splice terminals

*Amounts in the kit will change depending on the B series Underwater Light.

