

SHAKEWELL SEACOOK WITH CAP

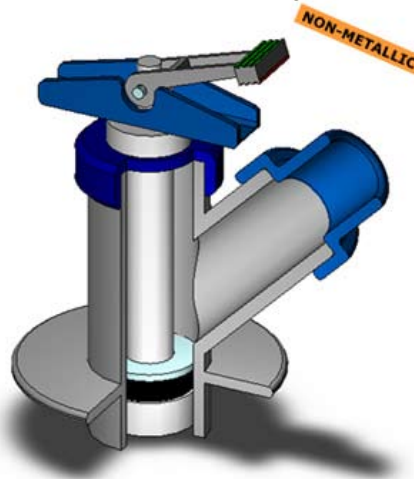
The Shakewell valve, to say Shakewell seacock, is a thru-hull valve. Seacocks are the most critical components in a boat, their reliability can mean the difference between life and death. When the 81' MARTELA lost her keel and capsized off Punta del Este, she remained afloat for 5 weeks thanks to the air entrapment maintained by Shakewell Seacocks. The importance of seacocks is not diminished by less dramatic circumstances: Engines, toilets and cockpit drains can all be rendered useless by malfunctioning valves. The weekend sailor is as dependant upon them as the round-the-world racing skipper.

ADVANTAGES

- To be easily, rapidly and safely cleared afloat, if blocked or jammed.
- To be capable of being serviced afloat, by taking all the moving parts into the boat, without tools, whilst still retaining useable water flow through the valve.
- To tolerate marine growth, shellfish and sand, but remain airtight even if the mechanism and valve canal become scratched by such particles.
- To shut flush with the hull to minimise turbulence and to hinder marine growth and mud entering and accumulating in the valve canal.
- To be non-metallic in order to eliminate all problems associated with corrosion, and to allow fitting to steel and aluminium, without risk of galvanic degradation.

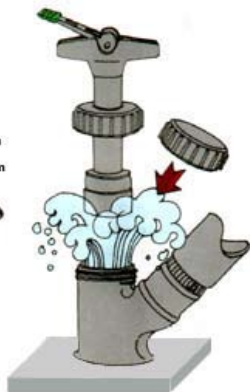


45940

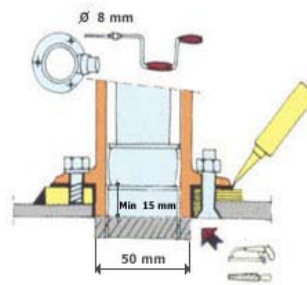
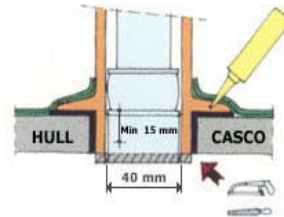


3D VIEW

OPERATION POSSIBILITY



OPERATE



INSTALL



45942



45944



45946

Part No.	Description
45940	Shakewell seacock with cap
45942	20mm hose connector for seacock
45944	25mm hose connector for seacock
45946	38mm hose connector for seacock

