

Horizontal Phone Pocket

Features

- Recessed pocket protects the phone from the sun's harmful rays
- Recessed format capitalizes on unused space, such as under furniture
- Recessed pocket is designed to fit most phone sizes
- Qi certified to meet all wireless charging standards

Product Details

Dimensions 4.5"D x 9.2"W x 4.5"H

Bezel Material Black Polycarbonate

Housing Material ABS

Cutout 8"W x 3.75"H

Voltage 10-30V DC

Input Current 3.4A (Wireless)

Charging Capacity Wireless : 10W

Wire Length 12"

Wire Gauge 18 AWG

Operating Temp 41°F to 95°F (5°C to 35°C)

IP Rating IP65

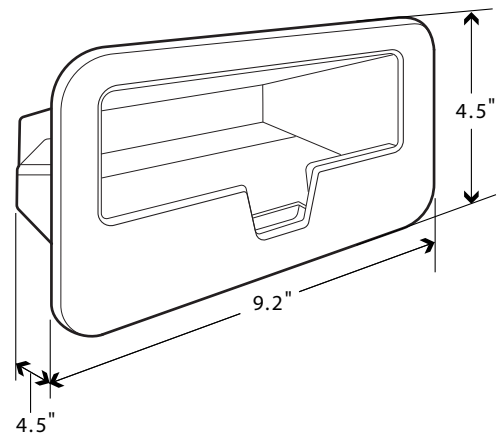
UV Stable Yes

Specification Guide

Base Part #	Bezel Color	Retention Feature
530016	BK - Black	N - N/A





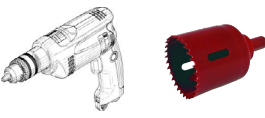

Product Dimensions



Horizontal Phone Pocket Install Instructions

(Part #'s: 530016)

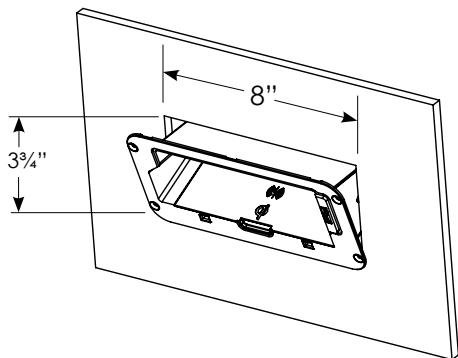
PARTS / TOOLS NEEDED:

			
Phone Pocket	Mounting Screws	Power Drill & Hole Saw	Marine Grade Splices (not provided)

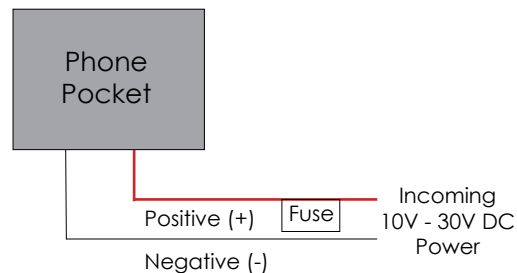
Safety/Installation Considerations

- Disconnect power before installing, adding or changing any component.
- To avoid a hazard to children, account for all parts and destroy all packing materials.
- *Electrical Specs:* Input voltage: 10-30V DC | Input current: 3.4A
Charging Capacity: Wireless only: 10W | Wireless
- Positive (+) outputs require a fuse if the attached wire leads are not rated to handle the max current.
- The charger has been designed to work with Qi compatible devices.
- The charger has been designed to charge and operate within the receiving device's thermal parameters. Low or high temperatures might cause the receiving device to change their charging behavior to regulate its temperature and preserve battery life. Typical temperature ranges are 0°C to 35°C (32°F to 95°F). When exceeding these operating temperatures, the phone and/or the charging device may temporarily stop charging to protect from overheating.
- The wireless charging module has been designed to be optimized with no case installed. If a thick phone case is added to the distance between the charger surface and the phone, it may cause the device to not charge or to temporarily shut down to protect from over-heating.

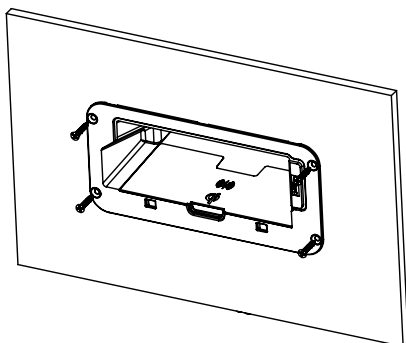
1. Determine your installation location, ensuring there is at least 5" of space behind. Cut a 8" x 3¾" hole.



2. Wire the phone pocket using the wiring diagram.



3. Install the pocket by sliding the bottom in first, making sure to clear the charger on the bottom of the pocket. Screw in place using the screws provided. Do not over torque screws.



4. Snap the bezel onto the housing.

