



LED HIGH BAY LIGHT 140W

PART NO.: 709452

INSTALLATION INSTRUCTIONS



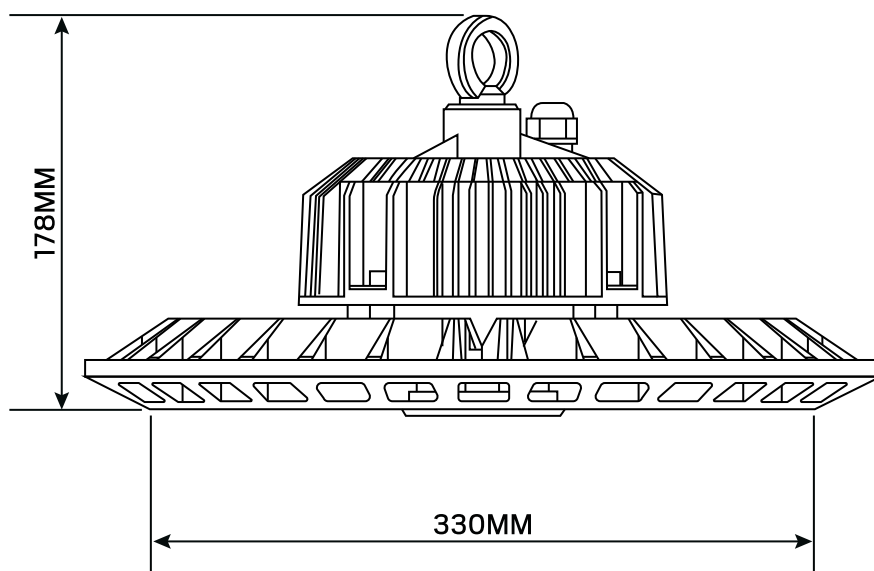
FEATURES

- Ideal for warehouses, factory's, cold storage facilities, large undercover areas.
- Highly efficient at 190lm/W with a total of 26600 lumens.
- Reduce your power bill by up to 70% compared to using Mercury Vapour bulbs.
- Starts instantly without the need to warm up, unlike Mercury Vapour lights.
- 6000k colour temperature produces a crisp white light close to daylight.
- Heavy-Duty Die-Cast Aluminium Casing.
- Optical Lens optimised light.
- Working Temperature: $-20^{\circ}\text{C} \sim +45^{\circ}\text{C}$.
- Ultra long LED lifespan: Up to 50,000hrs.
- Includes a heavy-duty eye bolt for quick installation.
- Easy to install.
- Rated IP65.

SPECIFICATIONS

| | | | |
|----------------|-----------------|----------------------|--|
| Dimension: | Ø 330mm x 178mm | Frame Colour: | Black |
| Volts: | AC 220V-240V | LED Colour: | Cool White |
| Light Output: | 26600LM | Working Temperature: | $-20^{\circ}\text{C} \sim +45^{\circ}\text{C}$ |
| Watts: | 140W | Dimming: | Non-Dimmable |
| LED Chip Type: | 675 x SMD2835 | LED Lifespan: | 50,000 Hours |
| SDCM: | <6 | Protection Class: | Class I |
| CRI: | >70Ra | Material: | Aluminum Heatsink / Glass Cover |
| Beam Angle: | 120° | Installation: | Suspended |
| IP Rating: | IP65 | Certificates: | CE, SAA, RCM and Rohs |

DIMENSIONS



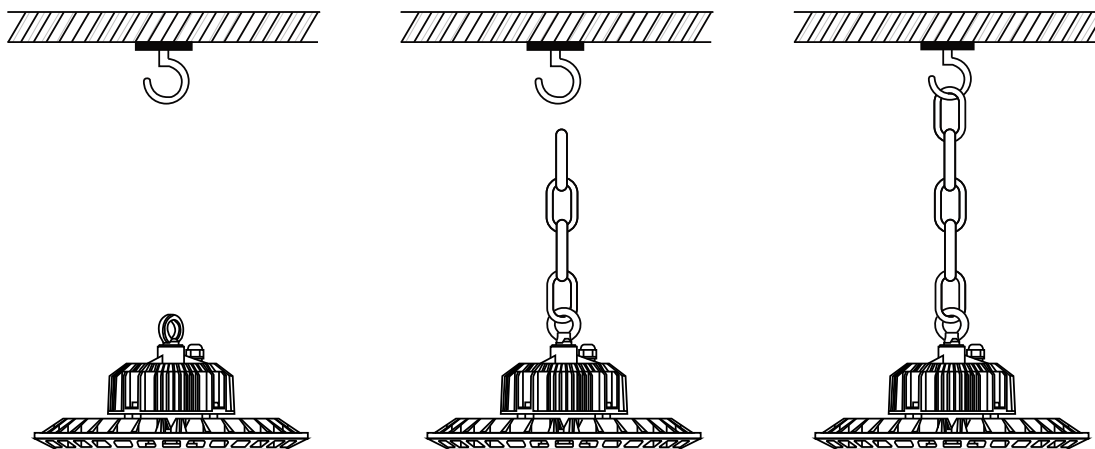


LED HIGH BAY LIGHT 140W

PART NO.: 709452

INSTALLATION INSTRUCTIONS

INSTALLATION



WARRANTY

Sam Allen Wholesale warrants this product against defects in manufacture and workmanship for a period of 2 years from the date of purchase. This warranty is only valid for products installed by a qualified electrical contractor and operated within the guidelines specified by Sam Allen Wholesale, and within the correct operating voltage ranges as stated on the product's rating label.

Warranty does not include damage or loss arising from incorrect installation, operation or maintenance of this product, damage caused through modification, incorrect installation, service by unqualified or unauthorised personnel or lack of regular maintenance and cleaning. Proof of installation by qualified personnel may be required, eg. Electrical Safety Certificate. Proof of purchase must be supplied with all warranty claims.

This warranty is provided in addition to any other rights and remedies of the customer under any law. In applications not intended for household, personal or domestic use, liability is limited to replacement or reimbursement of the product only. Sam Allen Wholesale does not warrant the costs of removal or re-installation of this product or associated components.

Our goods come with guarantees that cannot be excluded under the Australian Consumer Law. You are entitled to a replacement or refund for a major failure and compensation for any other reasonably foreseeable loss or damage. You are also entitled to have the goods repaired or replaced if goods fail to be of acceptable quality and the failure does not amount to a major failure.

Any claim under this warranty must be made within 2 years of the date of purchase of the product. To make a claim under the warranty; at your own expense take the product (with proof of purchase - receipt or similar) to the store where you purchased the product or contact Sam Allen Wholesale.

WARNING

- This product must be installed by a licensed electrician.
- Installation must adhere to local and national wiring rules.
- Disconnect or turn off the power before installation.
- Check whether the product has been damaged during transport.
- Do not operate/install the product that appears damaged.
- Verify the supply voltage is the same as the rated luminaire voltage.



Proudly distributed by
Sam Allen Wholesale
www.samallen.com.au
relaxn® www.relaxn.com.au