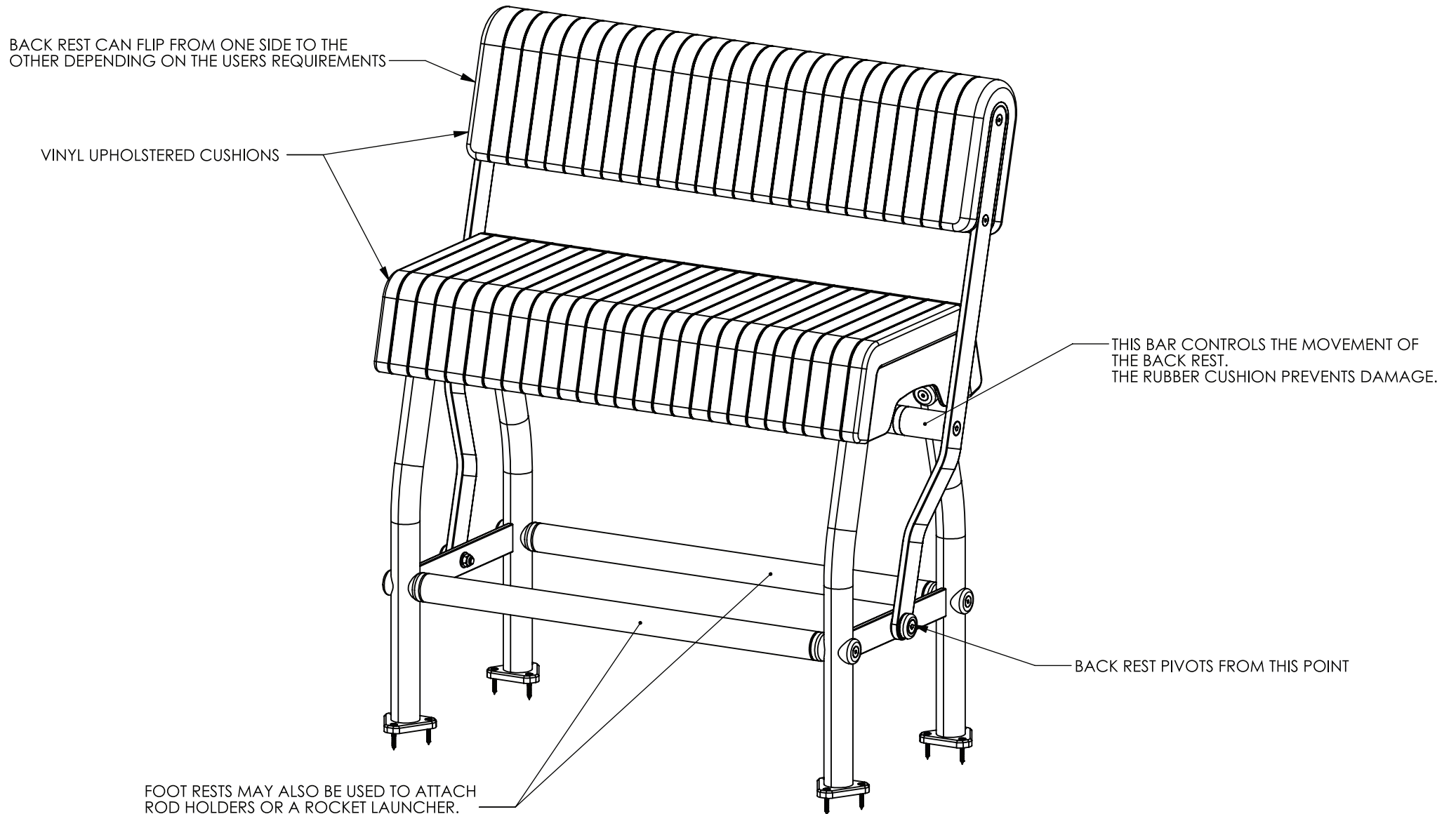
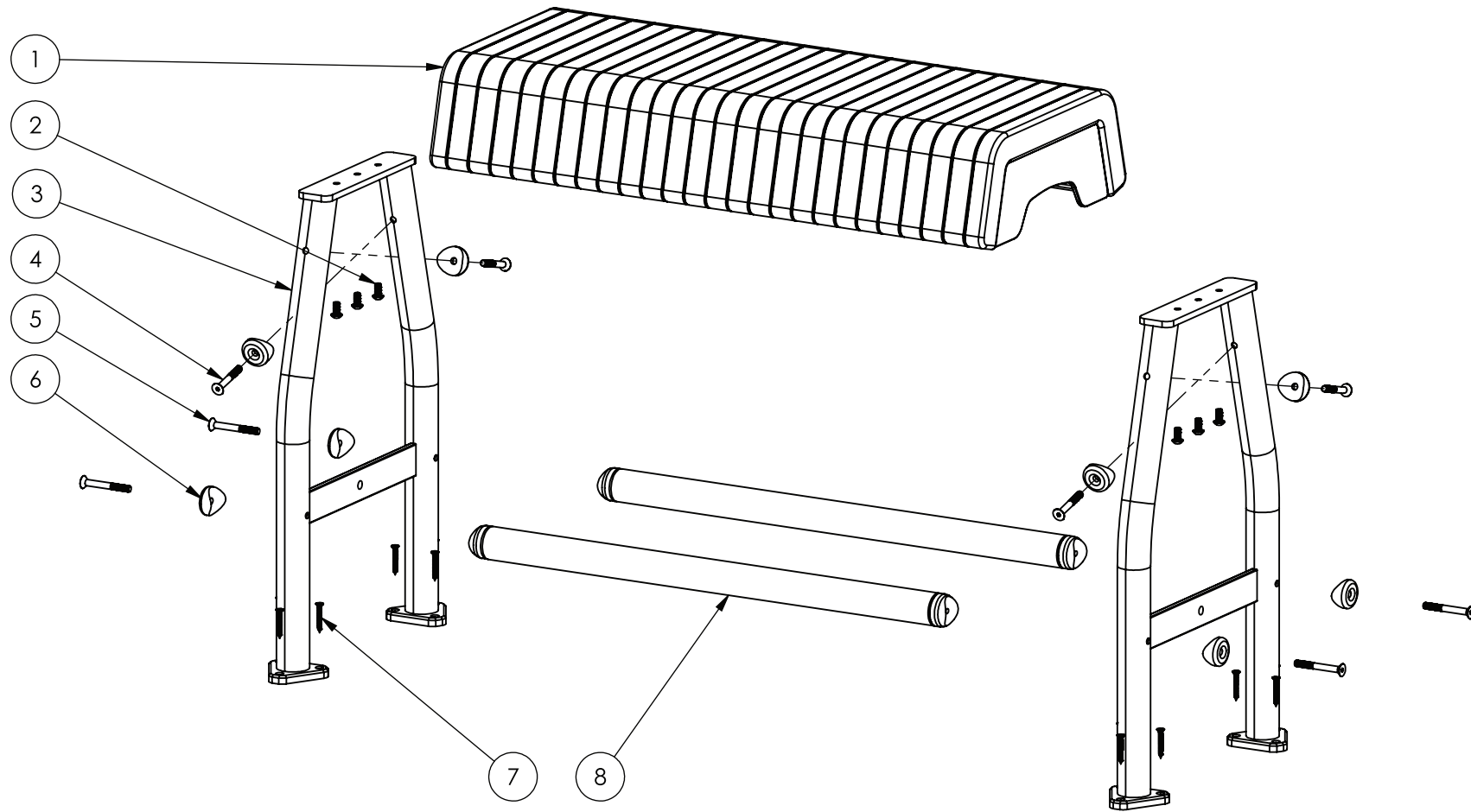


# **CENTRE CONSOLE FLIP BACK SEAT**



When assembling, loosely fit all fasteners before attempting to tighten each one incrementally.

# relaxn<sup>®</sup> CENTRE CONSOLE FLIP BACK SEAT



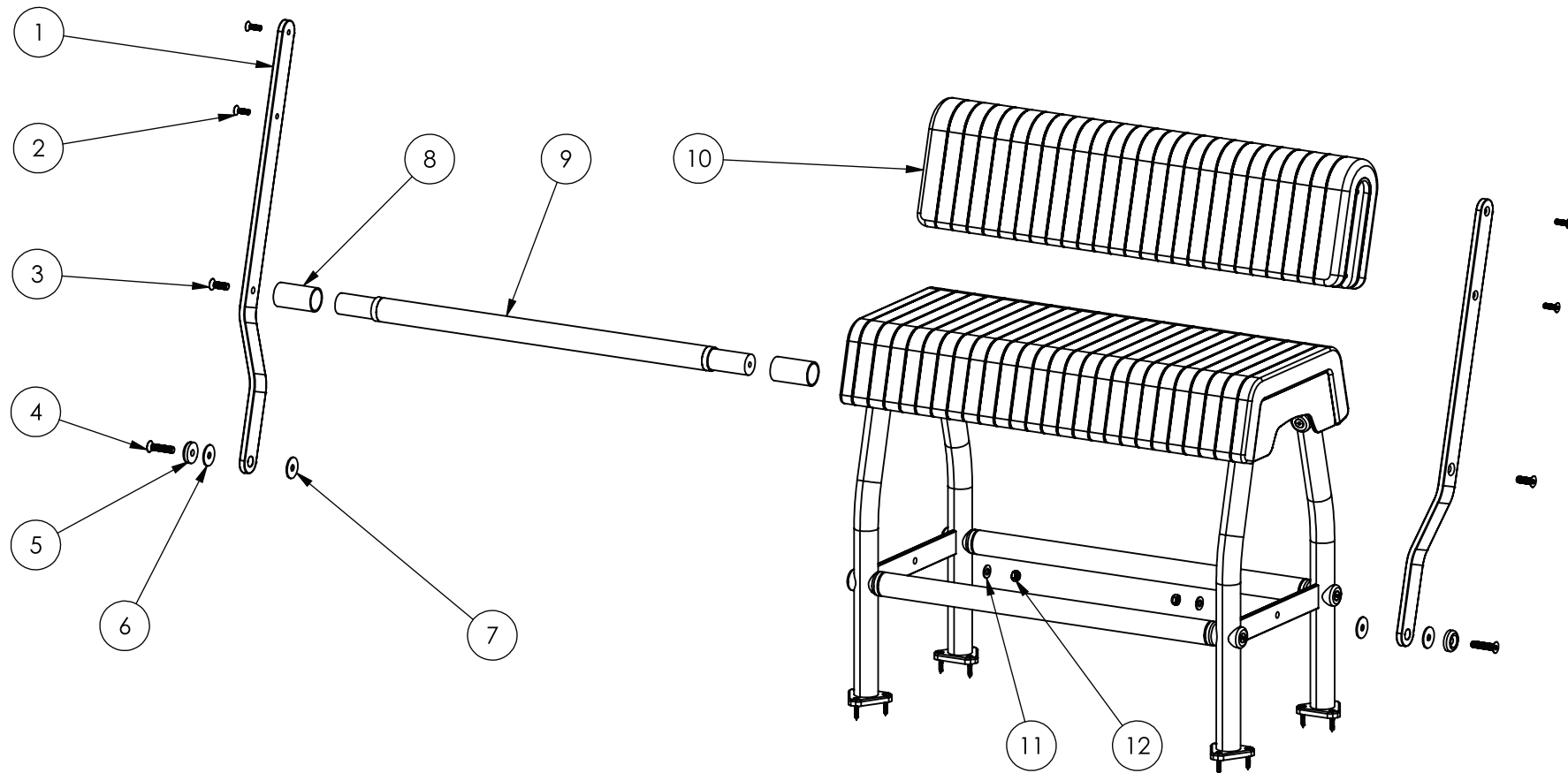
## SEAT BASE CONTENTS

Item No.	Description	Quantity
1	Seat base & cushion assembly	1
2	Seat base cushion assembly fixing screws	6
3	Seat base leg assembly	2
4	Seat base frame fixing screws & contoured spacers	4

Item No.	Description	Quantity
5	Foot rest fixing screws	4
6	Foot rest contoured spacers	4
7	Frame mounting screws	12
8	Foot rest assembly	2

When assembling, loosely fit all fasteners before attempting to tighten each one incrementally.

# relaxn<sup>®</sup> CENTRE CONSOLE FLIP BACK SEAT



## SEAT BACK CONTENTS

Item No.	Description	Quantity
1	Back rest side support	2
2	Back rest cushion assembly fixing screws	4
3	Back rest pivot bar fixing screw	2
4	Back rest pivot screw	2
5	Back rest flat spacer	2
6	Back rest outer pivot bearing washer	2

Item No.	Description	Quantity
7	Back rest inner pivot bearing washer	2
8	Back rest pivot rubber buffer	2
9	Back rest pivot assembly	1
10	Back rest & cushion assembly	1
11	Back rest pivot SS washer	2
12	Back rest pivot ss lock nut	2

When assembling, loosely fit all fasteners before attempting to tighten each one incrementally.