

NEW

 **relaxn**[®]

UNDERWATER BUNG LIGHT

SUITABLE FOR



12V



GREEN LED

BLUE LED

**Suits
40mm
Cut-Out**



Proudly Distributed By

Sam Allen Wholesale

Marine, Outdoor Leisure & Industrial Accessories

Phone: +61 7 3902 7222 Fax: +61 7 3899 1079

Email: sales@samallen.com.au

www.samallen.com.au

Follow us on:



relaxn[®] **UNDERWATER BUNG LIGHT**

NEW

Due to the popularity of the 20mm LED Drain Bung Underwater Light, Relaxn has been working on the 40mm version to suit larger boats. This Relaxn LED Drain Bung Underwater Light is designed to be retrofitted to your existing bung, simply remove the existing drain plug and housing, then install the New Underwater Bung Light without drilling any new holes.

The Relaxn Underwater Bung Light utilises the next-gen of LED technology, COB (Chip On Board) feature allows multiple LED chips to be packed together working as a single lighting module providing a brighter lighting experience than ever before.

The Relaxn LED Drain Bung Underwater Light is ideal for any vessel with a 40mm bung from tinnies, inflatables, runabouts and large boats. The New Bung Light are available blue LED and by popular request green LEDs.

Replaces Bung

Designed specifically to retrofit into the 40mm bung location.

No Drilling Required

The underwater bung light mounts directly into the existing holes.

IP68 Protection Rated

Epoxy resin with glass lens and nylon composite housing provides a water tight seal when submerged in water.

Next Gen LED

COB (Chip On Board) technology allows multiple LED chips to be packed together as a single lighting module.

Designed For Peace Of Mind

Supplied with 2m of tinned wire and stainless steel mounting hardware.

ROHS / CE Certified

Complies with the Australian/New Zealand guidelines.

Ideal for:



Inflatables

Tinnies



Runabouts

Large Boats



Proudly Distributed By

Sam Allen Wholesale
Marine, Outdoor Leisure & Industrial Accessories

Phone: +61 7 3902 7222 Fax: +61 7 3899 1079
Email: sales@samallen.com.au
www.samallen.com.au

relaxn[®] SPEC SHEET

Kit Includes:

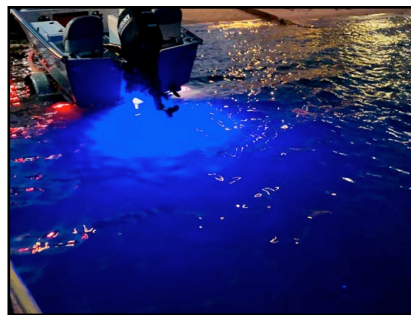
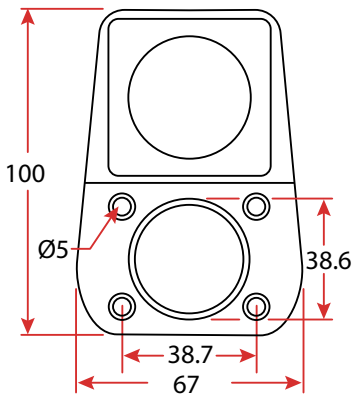
- 1 x Underwater bung light.
- 1 x 9mm x 100mm heat shrink with glue.
- 2 x 4mm x 68mm heat shrink with glue.
- 2 x Red insulated butt splices.
- 4 x 8g 316G stainless steel screws.



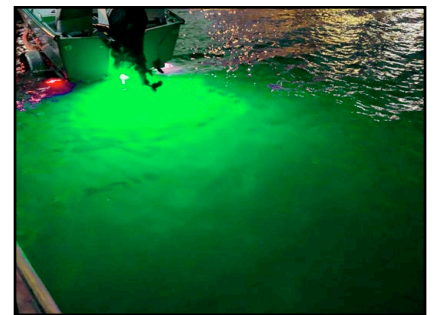
Designed to retrofit 40mm bung using existing holes



Power cable runs through existing hole, no drilling required



Blue bung light



Green bung light

Part No.	Description	LED Colour	Lumens (lm)	Volts (V)	Amps (A)	Watts (W)	Mount Holes	Suits Bung Cut Out (mm)	Dimensions H x W x D (mm)
709590	Small LED Retro Fit Bung Light	White	500	12	0.3	6	2	20	85.5 x 54 x 42
709590-BULK	Small LED Retro Fit Bung Light - White - 10 Pack								
709592	Small LED Retro Fit Bung Light	Blue	500	12	0.3	6	2	20	85.5 x 54 x 42
709592-BULK	Small LED Retro Fit Bung Light - Blue - 10 Pack								
NEW 709596	Large LED Retro Fit Bung Light	Green	500	12	0.3	6	4	40	100 x 67 x 30
NEW 709596-BULK	Large LED Retro Fit Bung Light - Green- 10 Pack								
NEW 709598	Large LED Retro Fit Bung Light	Blue	500	12	0.3	6	4	40	100 x 67 x 30
NEW 709598-BULK	Large LED Retro Fit Bung Light - Blue - 10 Pack								

NOTE: Designed for underwater use only, these lights are cooled by water.



Follow us on:

